

Limited Product Warranty

Products are guaranteed to be free of defects at the time of supply to the purchaser. The manufacturer's liability is limited to the replacement of faulty heaters.

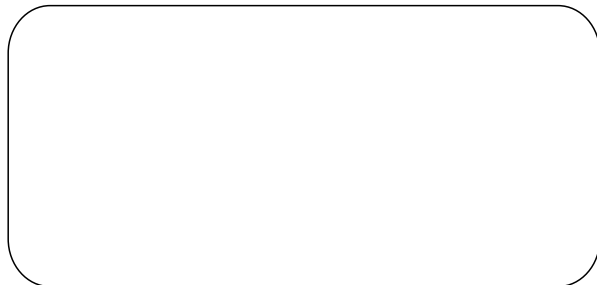
The manufacturer assumes no responsibility for the improper installation of its products nor for any consequential loss or damage.

The product carries a 1 year warranty against manufacturer defect.

Specifications

Dimensions	-	600mm x 1200mm x 20mm	-	600mm x 600mm x 20mm
Frame	-	Brush aluminum	-	Brush aluminum
Current/Voltage	-	230 Volt (220 -240)	-	230 Volt (220 -240)
Power	-	300 Watt @ 230V - 1,3 Amp	-	150 Watt @ 230V - 0,64 Amp
Operating. Temp.	-	55 - 60°C (max 70°C)	-	55 - 60°C (max 70°C)
Weight	-	5 kg nett	-	2.6 kg nett
Front Cover	-	White paintable to suit decor.	-	White paintable to suit decor.
Rear Finish	-	95% Radiant block	-	95% Radiant block

Contact details



KLIMAX
manufacturing (pty) ltd

Manufactured by
Klimax Manufacturing (Pty) Ltd.
ISO 9001 Compliant
222 Van Dyk Road
Boksburg East
South Africa
+27 11 841 8000



WallBuddy®
Wall panel heater

User guide &
Installation instructions

Features & Benefits

Safe and child friendly

WallBuddy® is manufactured with your safety in mind. The heating element is designed with a full earth screen making it electrically safe. The low surface temperature means safe to touch.

Energy saving

WallBuddy® is lightweight & quick & operates at a relatively low surface temperature (55 - 60°C), using minimal electricity. With its insulating and radiant block backing, WallBuddy® is specially designed to minimize heat loss into the wall and radiate heat into the room. This means electricity converts 99,9% into heat without process or system waste.

Warms up in minutes

Warmth radiating from your WallBuddy® can be felt after a few minutes. Operating temperature is reached within ten minutes.

Hygienic and healthy

WallBuddy® is specially designed to radiate heat with minimal convection. Radiant heat warms all surfaces, objects and people in the room, it does not directly heat the air. This means no dry air, or skin, bringing you a healthier environment. Minimizing the movement of air is advantageous to people with allergies.

Effective infrared radiant heat

WallBuddy® is effectively 80% I.R. radiant heat and 20% convection. Comfort is reached at lower temperatures with radiant heat because of minimal convection flows. This also reduces energy consumption.

Easy to install

Your WallBuddy® is an ultra slim lightweight design which can easily be hung similar to a picture frame with 2 wall screws.

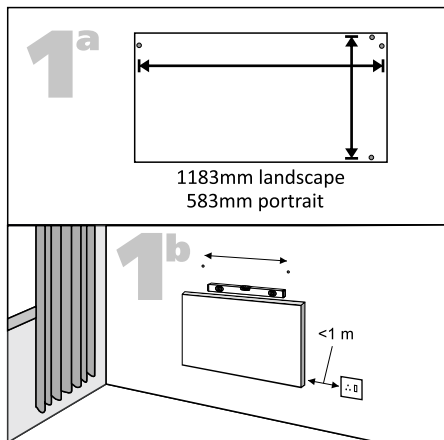
User Safety Instructions

- This appliance is not intended for use by persons with reduced physical, sensory or mental capabilities, or lack of experience and knowledge, unless they have been given instruction concerning the use of the appliance by a person responsible for their safety.
- Children should be supervised to ensure that they do not play with the appliance.
- Do not cover heater surface, as this could lead to overheating and possible burn-out of heating elements.
- Do not use free standing or loose.

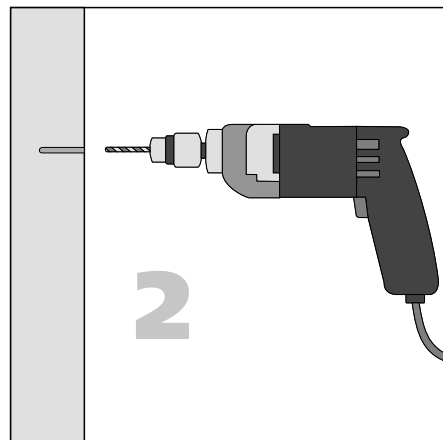
Tools Required/Supplied

- Supplied : Paper template, 5mm drill bit, pencil marker.
- Required : Handrill, hammer,, spiritlevel, star screw driver.

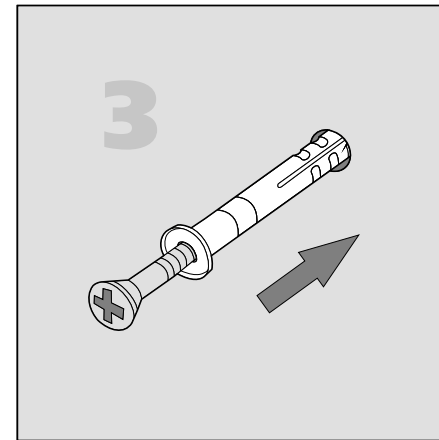
Installation Instructions



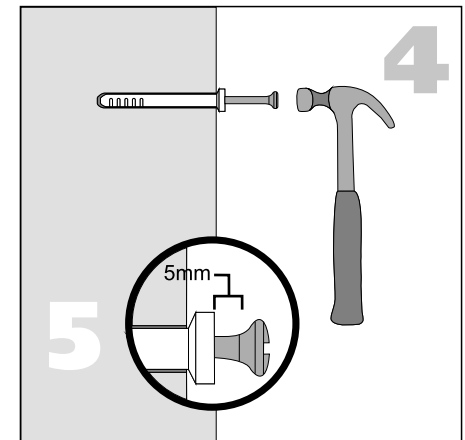
- 1a. Using the template mark the position of heater and using a spirit level make sure it is level.
 1b. Ensure maximum distance 1 metre is allowed from plug socket.



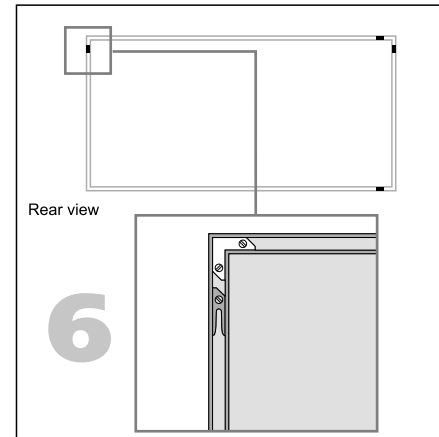
2. Drill holes with the 5mm \varnothing drill bit the length of the supplied dowel plug (30mm deep).



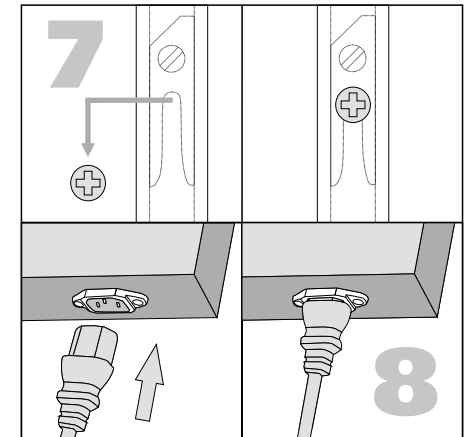
3. Insert the supplied screws part-way into the plugs. Place dowel and screw into hole drilled into wall.



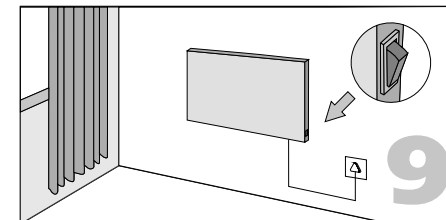
4. Hammer nail into wall. 5. Leave 5mm of the screw protruding out of the wall. This is for the frame to hook onto.



6. Hanging slots are found on the rear side of the frame for portrait and landscape options



7. Align hanging slot above screw and secure pushing down. Hanging flush against the wall is best
 8. Plug in power cord into female plug.



9. Plug into wall socket. Plug positions are available on right or left side depending on model. A red light in switch means on.

Energy saving tips

For more efficient operation a plug-in timer or thermostat is an optional extra.